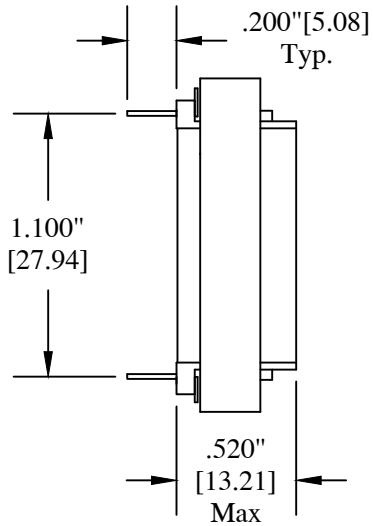
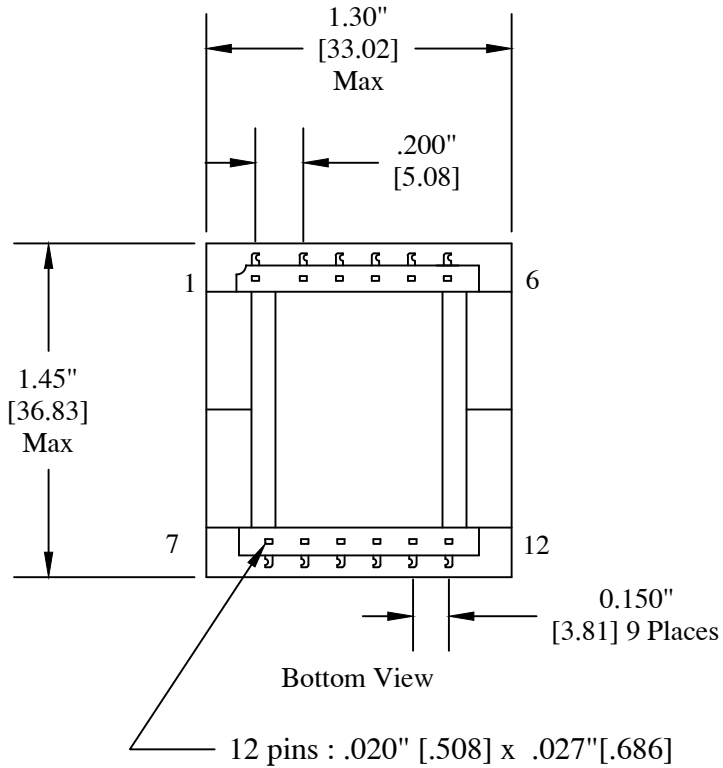


- FEED BRIDGE INDUCTOR.
- OPERATING LEVEL -45 TO +7dBm.
- DESIGNED FOR 90mA MAX DC CIRCUITS.
- UL RECOGNIZED COMPONENT - UL 1863, FILE E138250.

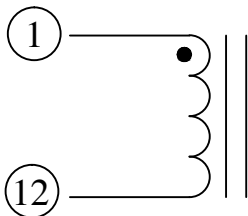


Electrical Parameters:

DC Resistance: 142 ohms  
 Dielectric Strength: 1500Vac (winding to core)  
 Min. Inductance:  
 1.40Hy @0DC  
 1.30Hy@50mADC  
 1.20Hy@90mADC

All dimensions are reference unless otherwise specified.

Schematic



REVISIONS

DATE	REV	DESCRIPTION	APPV'D



CUSTOM ENGINEERING MAGNETIC COMPONENTS  
 Johnsburg, Illinois  
 3521 N. Chapel Hill Rd. / McHenry, Illinois 60051

SCALE: None

APPROVED BY:

DRAWN BY TJK

DATE: 03-17-2016

*Tj Klotz*

REVISED

FEED BRIDGE Transformer p/n SPT-179

DRAWING NUMBER

SPT-179